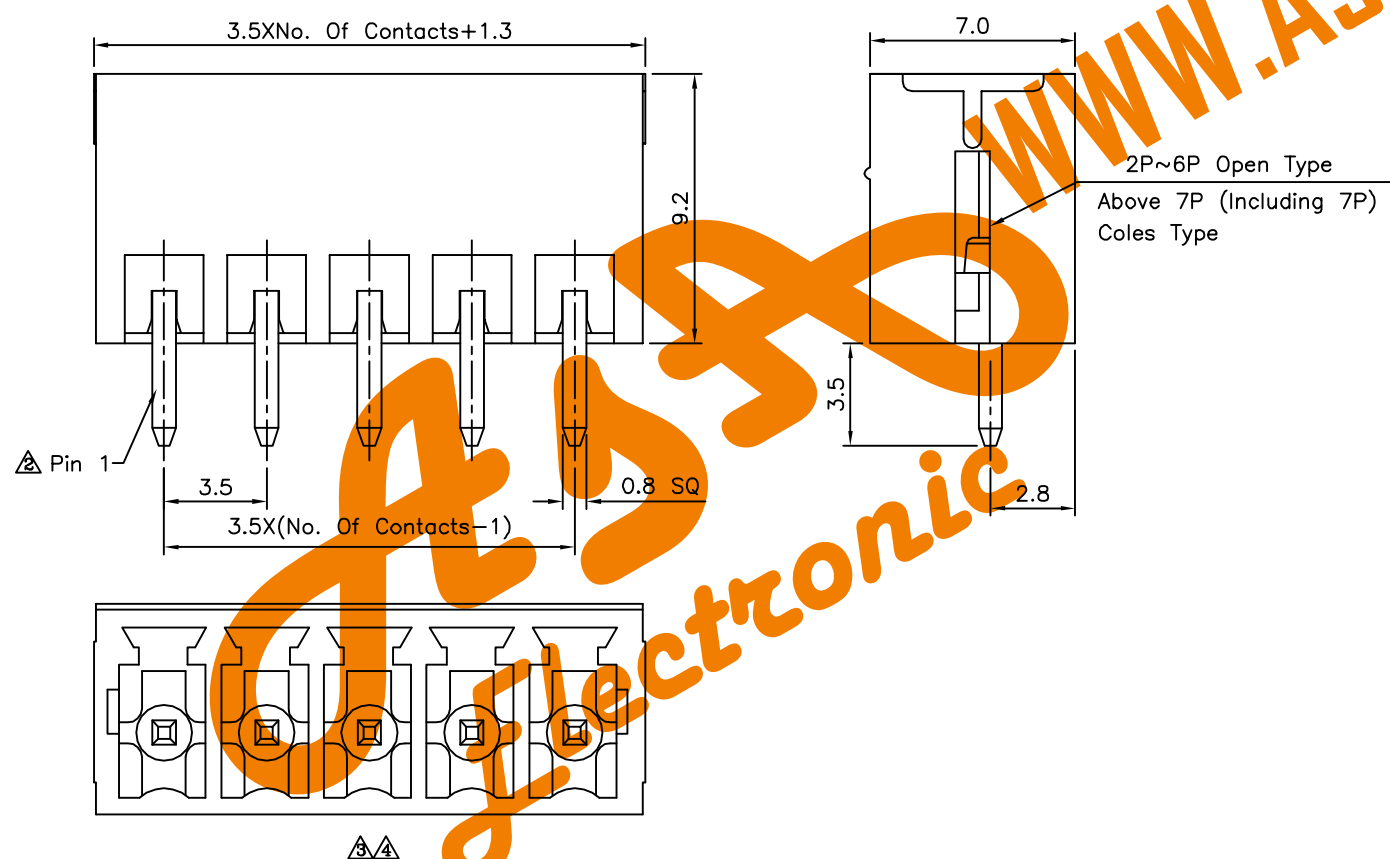


Recommended P.C.B. Layout

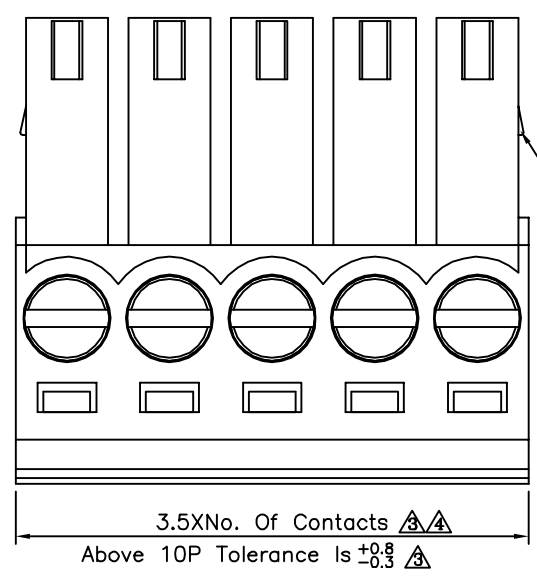


△ SPECIFICATION
 Current Rating: 8 Amp/Way Max.
 Voltage Rating:300V AC
 Withstanding Voltage:2500V AC For 1 Minute
 Test Time=60 Sec/1 PCS
 Operation Temperature:-40°C~+105°C
 Soldering Reliability:Test Temperature=250°C±10°C
 5 Seconds Max.
 Insulator Body(Housing):Polyamide+G.F.(UL94V-0)
 ,Green
 Solder Pin:Copper Alloy,Tin Plated
 RoHS Compliant

AsA Electronic
 WWW.AsA-Elec.com
 AsA Electronic Co.
 Tel : (+98) 21 66 73 56 82 Mob : (+98) 912 03 161 02

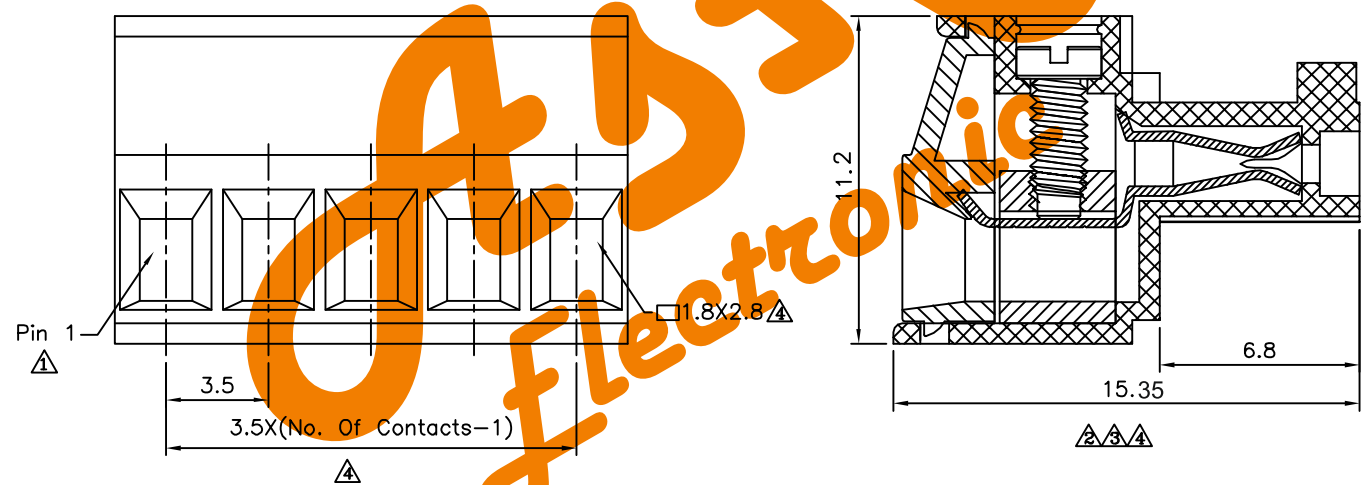
DRAWING No.		APPROVED BY		UNLESS OTHERWISE SPECIFIED TOLERANCES ARE X. ±0.50 .X ±0.30 .XX ±0.20 ANG. ±1°	UNIT mm	NO. REV.	REVISIONS	CHK	DATE
13747		EMILY							
SCALE NONE		CHECKED BY HZF							
REV.		DRAWING BY GAO		A4		A4		Modify Data	
		A4		A3		A2		A1	
		A4		A0		A0		A0	

8	9	0



2P To 6P With Wedge,Above 7P Without Wedge(Including 7P)

△ SPECIFICATION
 Voltage Rating:300V AC
 Current Rating: 8 Amps/Way Max.
 Contact Resistance:20 Milliohms Max.
 Withstanding Voltage:2500V AC(1 Minute) Test
 Time=60 Sec/1 PCS
 Wire Range:16~24 AWG
 Torque:2.5 Kgf.cm/M2
 Operation Temperature:-40°C~+105°C
 Soldering Reliability:
 Test Temperature=250°C±10°C/5 Seconds Max.
 △ Contact(Metal Housing):Copper Alloy,Nickel Plated
 Terminal Screw:Steel,Galvanized With Cr3+ Plated
 Wire Guard:Copper Alloy,Tin Plated
 △ Insulator Body(Housing):Polyamide(UL94V-0),Green
 RoHS Compliant



AsA Electronic
 WWW.AsA-Elec.com
 AsA Electronic Co.
 Tel : (+98) 21 66 73 56 82 Mob : (+98) 912 03 161 02

DRAWING No.		APPROVED BY		UNLESS OTHERWISE SPECIFIED TOLERANCES ARE X. ±0.50 .X ±0.30 .XX ±0.20 ANG. ±1°	UNIT mm	NO. REV.	REVISIONS	CHK	DATE
19840		EMILY							
SCALE NONE		CHECKED BY HZF							
REV.		DRAWING BY CYP		A4		A4		A4	
		A4		A3		A2		A1	
		A4		A0		A0		A0	

8	9	0